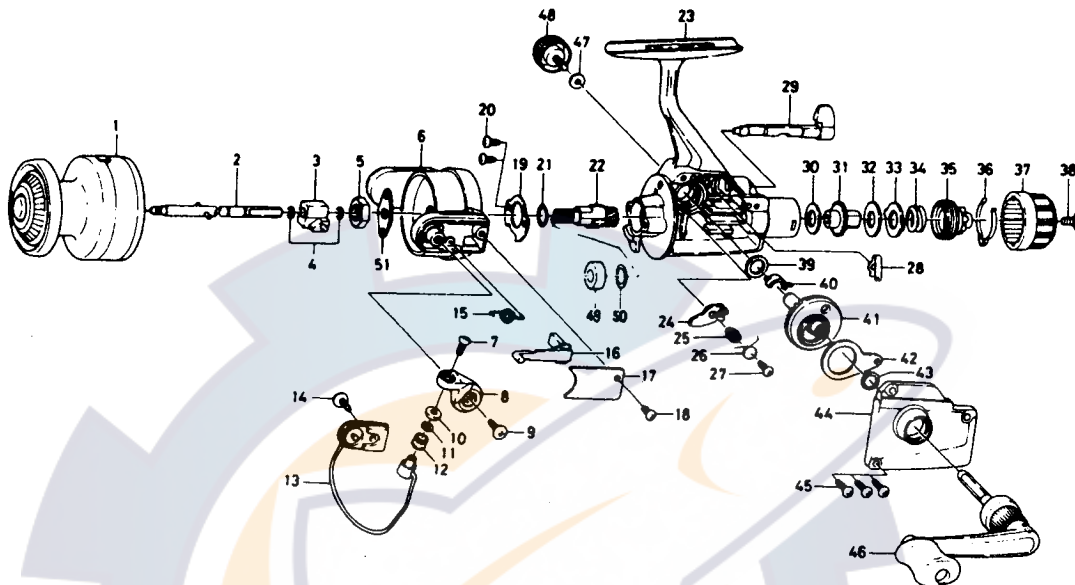


MPC 750/AG750A



Key No.	Parts No.	Parts Name	Key No.	Parts No.	Parts Name
1.	E03-5602	Spool	27.	E02-7401	Anti-reverse pawl screw
2.	E03-6401	Main Shaft	28.	B58-8601	Anti-reverse cam spring
3.	B98-6501	Oscillating support	29.	E03-2803	Anti-reverse cam
4.	E04-0601	Oscillating support retainer	30.	B58-9104	Drag washer A
5.	342-4001	Rotor nut	31.	E03-5101	Click gear
6.	E02-5401	Rotor	32.	B58-9106	Drag washer B
7.	352-2502	Line roller screw	33.	B58-9501	Eared washer
8.	E03-3901	Bail arm	34.	B58-9801	Drag coil spring
9.	B84-2102	Bail arm screw	35.	E03-3101	Drag screw
10.	B97-9801	Line roller collar	36.	E03-3201	Drag washer spring
11.	B55-4301	Line roller washer	37.	E03-3302	Drag knob
12.	250-3921	Line roller	38.	353-8203	Drag knob spring screw
13.	E15-3001	Bail	39.	E03-4501	Drive gear washer A
14.	B93-3001	Bail trip cam screw	40.	B96-0801	Drive gear collar
15.	E03-4001	Bail spring	41.	E03-4601	Drive gear
16.	E03-3801	Bail trip lever	42.	481-1331	Oscillating slider
17.	E03-4104	Bail spring cover	43.	375-8500	Drive gear washer B
18.	B93-3001	Bail spring cover screw	44.	E04-1004	Side cover
19.	E03-3701	Bearing retainer	45.	B83-5002	Side cover screw
20.	B93-3001	Bearing retainer screw	46.	E09-4701	Handle
21.	B12-8701	Pinion washer	47.	B92-4901	Handle lock washer
22.	E03-3601	Pinion gear	48.	E03-5501	Handle lock screw
23.	E03-2506	Body	49.	E03-2701	Bearing
24.	E03-2901	Anti-reverse pawl	50.	E03-4401	Pinion washer
25.	E03-3001	Anti-reverse pawl collar	51.	E09-7601	Rotor nut holding plate
26.	B95-9601	Anti-reverse pawl spring			